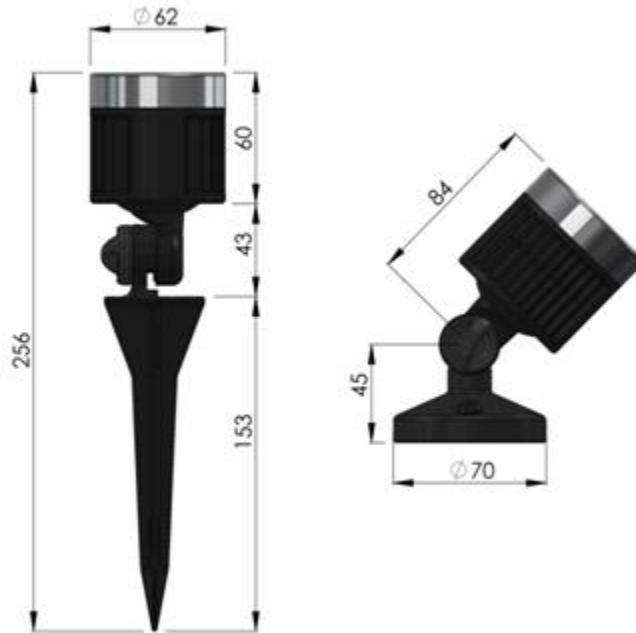


SCOPE



LIGHT SIZE	LARGE
FIXTURE TYPE	SPOT
LIGHT COLOUR	WARM WHITE
LIGHT ANGLE (°)	22
OPTIMUM RANGE (M)	>5
LUX	785
LIGHT TEMPERATURE (K)	3000
CRI (Colour Rendering Index)	85
IP CLASS	67
EXTERNAL TEMP. (IN OPERATION) (°C)	<50
VOLTAGE	12V AC
COMMUNICATED CONSUMPTION (W)	4,5
EFFECTIVE CONSUMPTION (W)	4,55
DRIVE-OVER (when installed)?	N
EST'D. LIGHT SOURCE LIFETIME (hours)	50000
WHEN USED 4 HOURS/DAY (in years)	34,25
OPTION 1	SCOPE BASE PLATE
OPTION 2	RISER 350